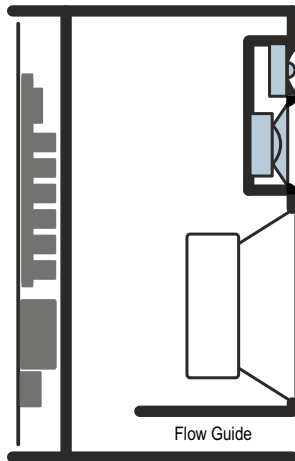


Technical data sheet

PSI AUDIO

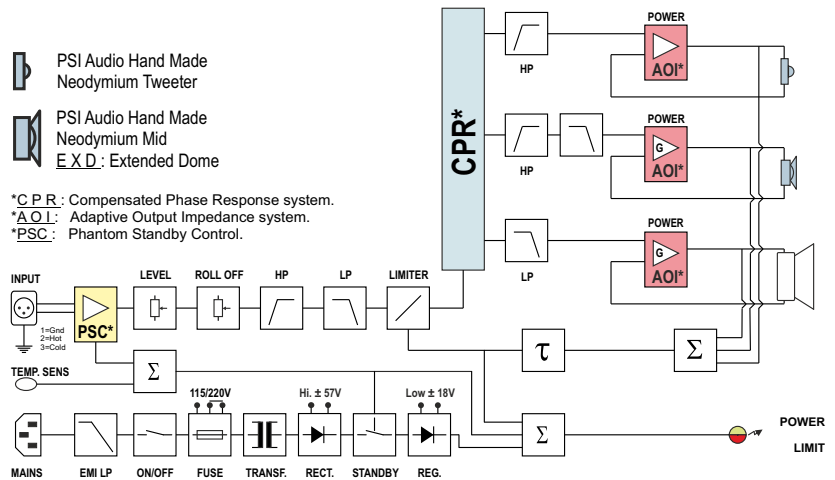
A25-M

All measurements in anechoic room
acoustical axis at 1 meter

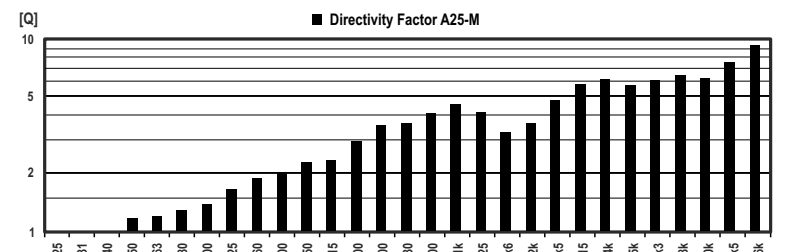
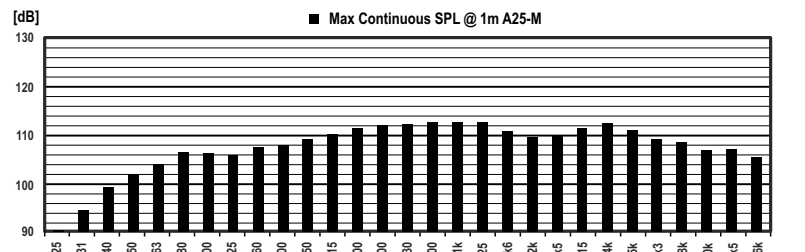
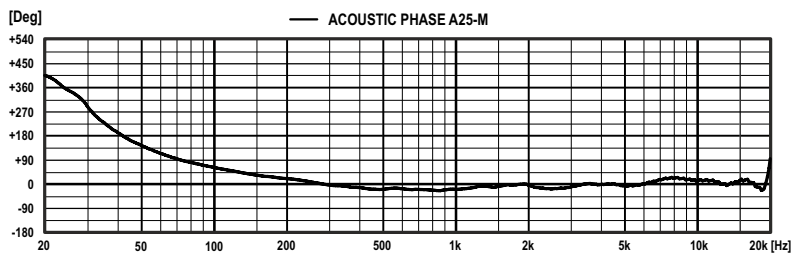
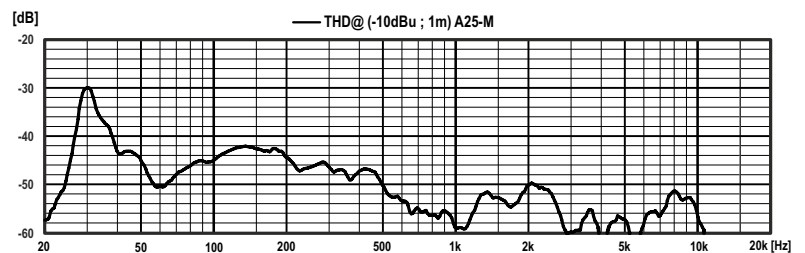
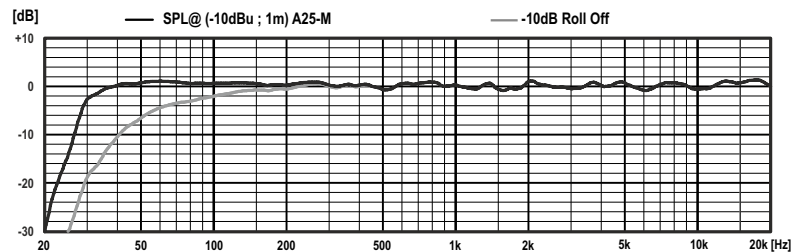


- PSI Audio Hand Made Neodymium Tweeter
- PSI Audio Hand Made Neodymium Mid
- EXD: Extended Dome

*C P R : Compensated Phase Response system.
*A O I : Adaptive Output Impedance system.
*P S C : Phantom Standby Control.

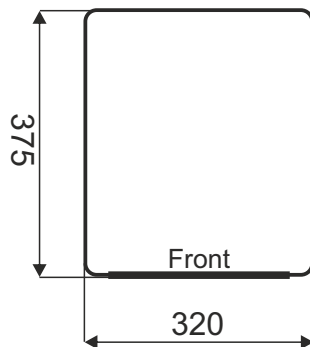


- Puissance RMS Power RMS **170+80+50 W**
- Puissance programme Program power **300 W**
- Impédance d'entrée Input impedance **Sym, 10k Ohms**
- Sensibilité pour 100 dB @ 1m Sensivity for 100 dB @ 1m **0.775 V**
- Rapport signal sur bruit Signal to noise ratio **102 dBA**
- Saturation d'entrée Input overload **24 Vpp / 20.7 dBA**
- Niveau max. continu, 1m Continuous max SPL, 1m **111 dB (single)**
- Niveau max. programme, 1m Program max SPL, 1m **122 dB (pair)**
- Réponse à -6 dB Response at -6dB **28 - 23000 Hz**
- Tolérances Tolerances **±1.5 dB (38Hz - 20kHz)**
- Distorsions THD @ -10dBu/1m Distortion THD @ -10dBu/1m **< 1 % (50 Hz - 20kHz)**
- Phase tolérances Phase tolerances **±45° (150Hz - 20kHz)**
- Dispersion (B.R. 4 - 16 kHz) à -6 dB Dispersion (P.N. 4 - 16 kHz) at -6 dB **90° x 80°**
- Système System **3 Way(s)**
- Fréquence de coupure Crossover frequency **400 Hz , 3.5 kHz**
- Dim. basses Ext. / Membrane Woofer's dim. Ext. / Diaphragm **Ø 258 mm / Ø 210 mm**
- Dim. medium Ext. / Membrane Medium's dim. Ext. / Diaphragm **Ø 112 mm / Ø 98 mm**
- Dim. aigues Ext. / Membrane Tweeter's dim. Ext. / Diaphragm **Ø 100 mm / Ø 25 mm**
- Connecteurs Connectors **1 x XLR F / 3P**
- Signal entrée Signal input **1=GND, 2=(+), 3=(-)**
- Matériaux du boîtier Box material **MDF**
- Dimensions boîtier L x H x P mm **320 x 590 x 380**
- Dimensions cabinet W x H x D mm **320 x 590 x 380**
- Poids brut / Net Gross / Net Weight **28.3 kg / 25.8 kg**
- Tension de secteur Voltage **115/230V±10%(50-60Hz)**
- Consommation Consumption Standby-Quiescent-Max **1.8 - 8 - 200 W**
- Humidité Moy / Max Mean / Max humidity **< 75% / < 90%**
- Température externe External temperature **5 - 40 °C**

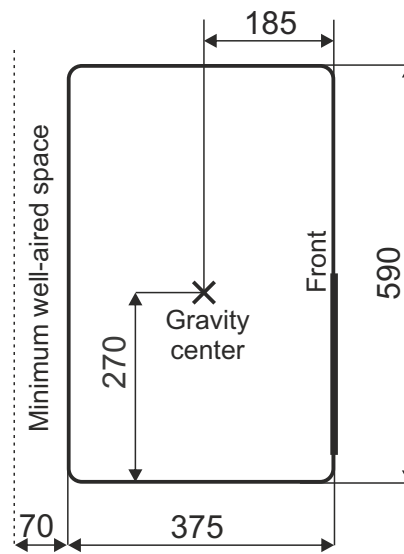


All dimensions are in mm

Mounting



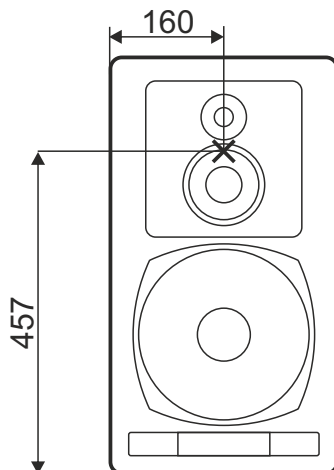
Bottom view



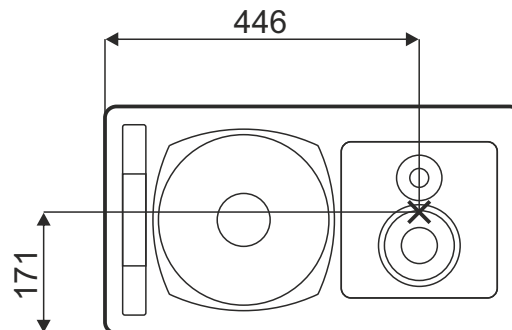
Side view

Refer to user manual for information about installation and safety instructions

Acoustical axis



Front view



Mid/High baffle orientation

As mentioned on the drawing here above, you can change the orientation of the mid/high baffle. Before this change, the power cable must not be connected. Be sure that this operation does not cause any short-circuit to the connections of the baffle.

Measurement environment:

Large anechoical room

Temperature $23 \pm 2^\circ\text{C}$ Humidity $50 \pm 20\%$

Typical acoustical measurements

Tolerances ± 0.5 dB Averaging 1/6 octave