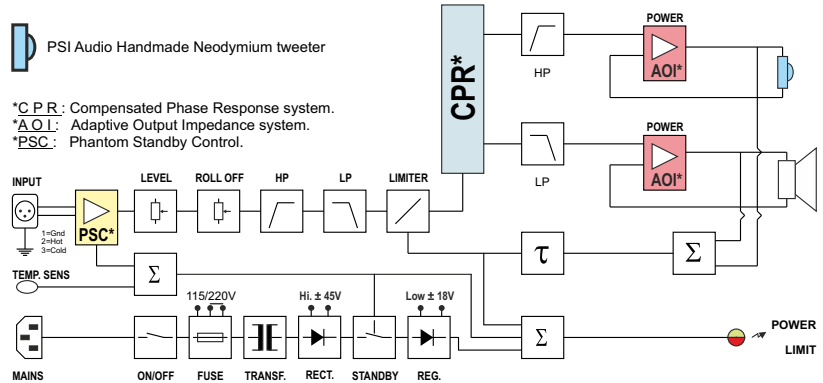
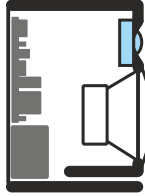


# Technical data sheet

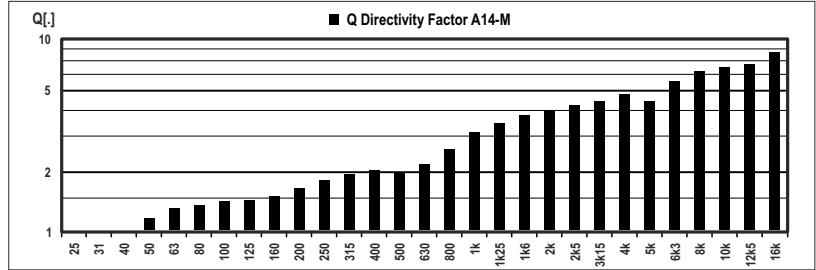
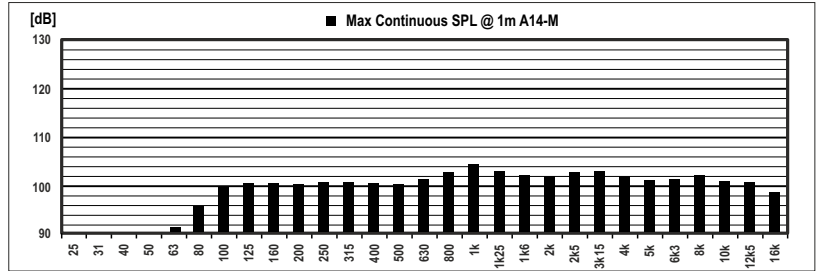
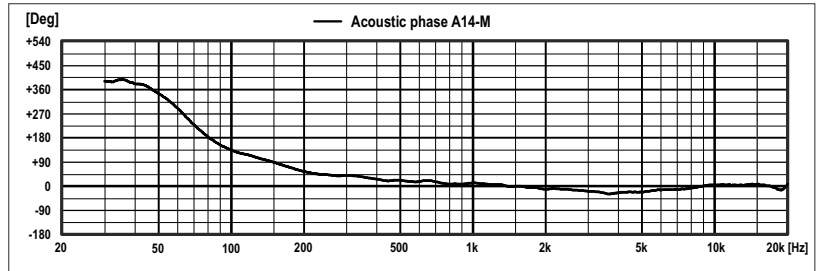
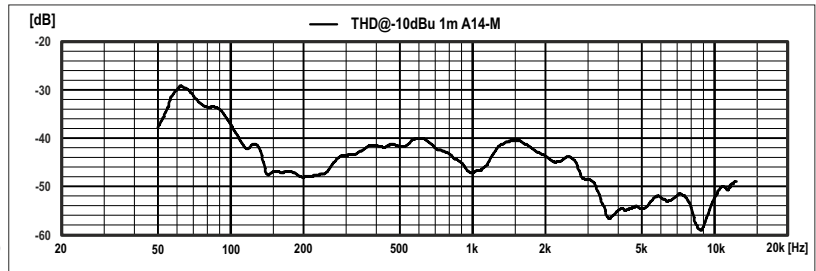
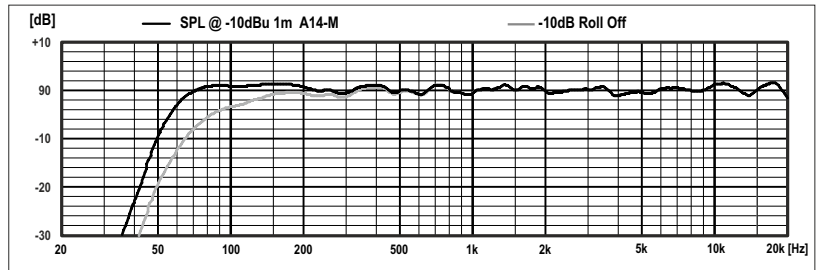
PSI AUDIO

A14-M

All measurements in anechoic room  
acoustical axis at 1 meter



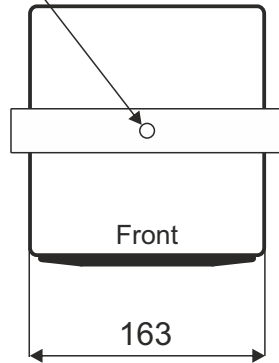
- Puissance RMS **70+30 W**
- RMS Power
- Puissance programme **100 W**
- Program power
- Impédance d'entrée **Sym, 10k Ohms**
- Input Impedance
- Sensibilité pour 100 dB @ 1m **0.775 V**
- Sensitivity for 100 dB @ 1m
- Bruit propre, 1m, champ libre **3 dBA**
- Self-Generated Noise, 1m, Free Space
- Saturation d'entrée **24 Vpp / 20.7 dBu**
- Input Overload
- Niveau max. continu, 1m **101 dB (single)**
- Continuous Max SPL, 1m
- Niveau max. programme, 1m **112 dB (pair)**
- Program Max SPL, 1m
- Réponse à -6 dB **56 - 23000 Hz**
- Response at -6 dB
- Tolérances **± 2.5dB ( 65 Hz - 19 kHz)**
- Tolerances
- Distorsions THD **< 1.8% (95 Hz - 20 kHz)**
- Distortion THD
- Tolérances de phases **±45° (260 Hz - 20 kHz)**
- Phase Tolerances
- Dispersion (B.R. 4 - 16 kHz) à -6 dB **100° x 60° (H x V)**
- Dispersion (P.N. 4 - 16 kHz) at -6 dB
- Système **2 Way(s)**
- System
- Fréquence de coupure **3.6 kHz**
- Crossover Frequency
- Dim. basse : ext. / membrane **Ø 147 mm / Ø 104 mm**
- Woofers Dim. Ext. / Diaphragm
- Dim. membrane aigue **Ø 25 mm**
- Tweeter's Diaphragm Dimension
- Connecteurs **1 x XLR F / 3P**
- Connectors
- Entrée du signal **1=GND, 2=(+), 3=(-)**
- Signal input
- Matériau du boîtier **MDF**
- Box Material
- Dimensions du boîtier L x H x P mm **163 x 243 x 170**
- Cabinet Dimensions W x H x D mm
- Poids brut / net **5.6 / 4.9 Kg**
- Gross / Net Weight
- Tension de secteur **115/230V±10%(50-60Hz)**
- Voltage
- Consommation Standby-Idle-Max **1.8 - 6 - 100 W**
- Consumption Standby-Idle-Max
- Humidité Moy / Max **< 75% / < 90%**
- Mean / Max Humidity
- Température externe **5 - 40 °C**
- External Temperature



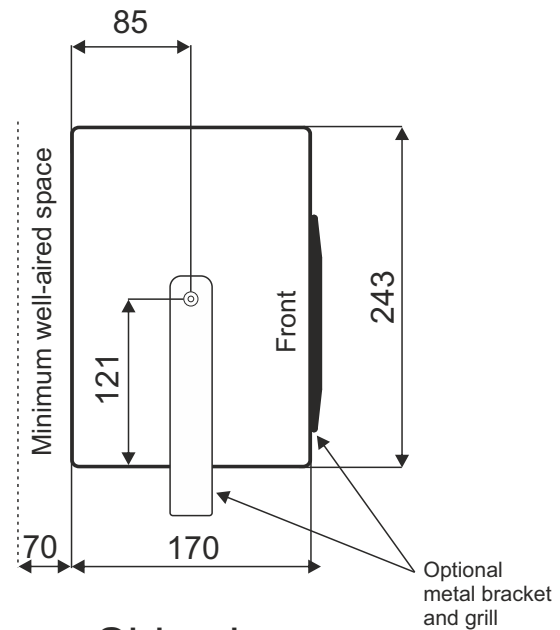
All dimensions are in mm

## Mounting:

Optional  
metal bracket  
1 x UNC 3/8"  
like mic stand



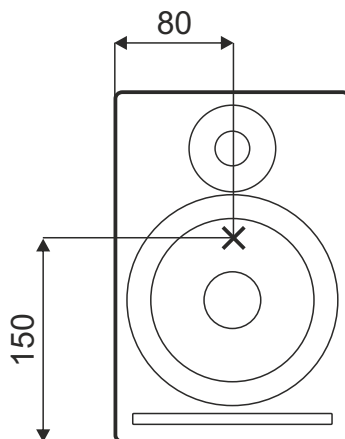
**Bottom view**



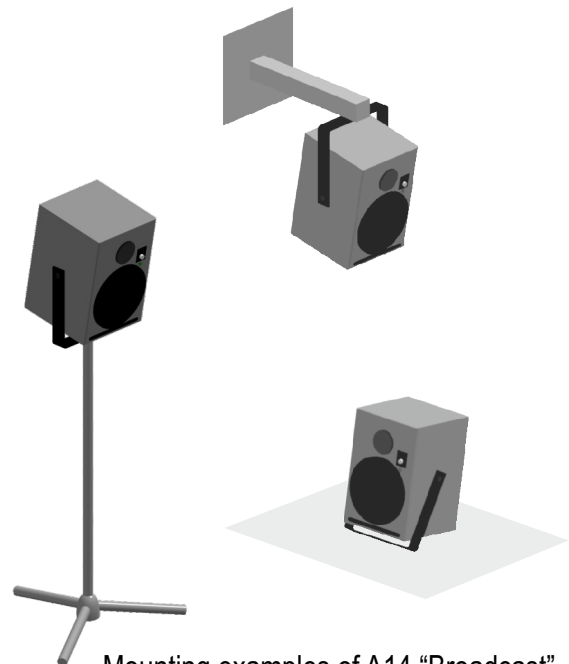
**Side view**

Refer to user manual for information about installation and safety instructions

## Acoustical axis:



**Front view**



Mounting examples of A14 "Broadcast" that comes equipped with metal bracket, metal grill and front level control.

**Measurement environment:** Large anechoical room  
 Temperature  $23 \pm 2^\circ\text{C}$   
 Humidity  $50 \pm 20\%$